

# MONESSEN HEARTH SYSTEMS

149 Cleveland Drive • Paris, Kentucky 40361

## INSTALLATION INSTRUCTIONS DFX24 FIREPLACE INSERT FACE PLATES AND TRIM

Check to see that you have the following. If any part or parts are missing, contact the dealer where you bought the Fireplace Insert Face Plates and Trim.

### CONTENTS:

DESCRIPTION	QTY
Front Panels, (Right, Left and Top)	
Trim, (Right, Left and Top)	
Self-Drilling Screw, #8 x 1/2"	8
Brass Screw, #6 x 3/4"	4
Miter Clamps	2

### TOOLS NEEDED FOR INSTALLATION:

Phillips Screwdriver or Drill with Phillips Screwdriver

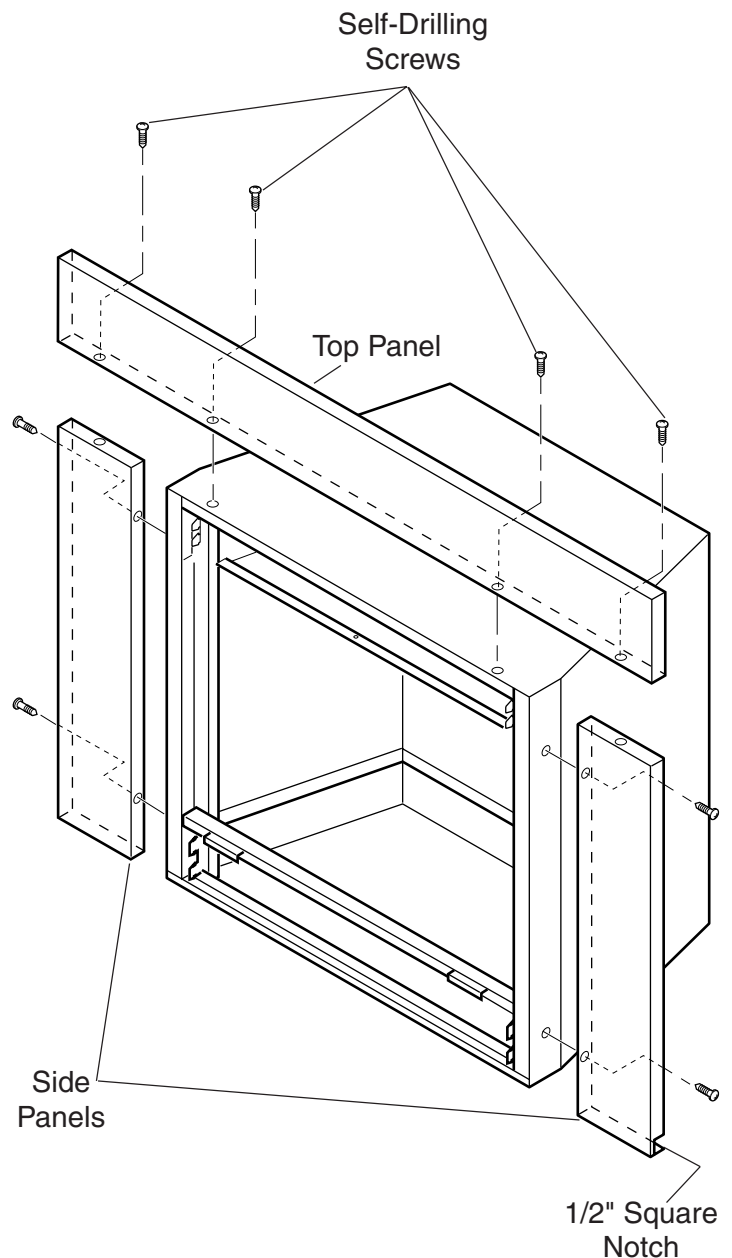
### INSTALLING FACE PLATE FLUSH TO THE FRONT

1. Remove three panels, trim and mounting hardware (screws and miter clamps) from packaging.
2. Install the right side panel with two self-drilling screws into the side of the unit flush to the front with 1/2 inch notch at the bottom. Do not over tighten screws. *See Figure 1.*
3. Repeat step 2 to install the left side panel.
4. Align top panel with the front surface of the side panels. Attach the top panel to the unit with four self-drilling screws. *See Figure 1.*

5. Install trim per instructions on back of this sheet.

### INSTALLING FACE PLATE BEHIND UNIT TRIM

1. Install unit trim per instructions in owner's manual.
2. Remove three panels, trim and mounting hardware (screws and miter clamps) from packaging.
3. Install right side panel with two self-drilling screws into the side of the unit behind unit trim with the 1/2 inch notch at the bottom. Do not over tighten screws. *See Figure 1.*
4. Align the top panel with the front surface of the side panels. Attach the top panel to the unit with four self-drilling screws. *See Figure 1.*
5. Install surround trim per instructions on back of this sheet.



**Figure 1 - Installing Top and Side Panels Flush on the Face of the Unit**

**Note: The 1/2" square notch will be on the bottom outside corner.**

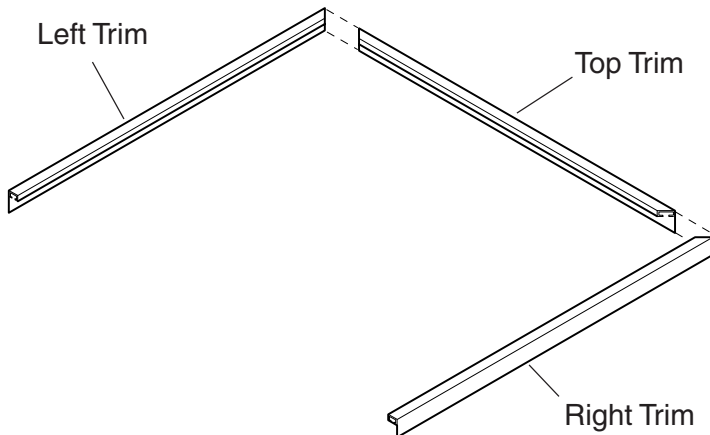
6. Lay out two side trim pieces and one top trim piece on flat surface as shown in *Figure 2*. Use caution not to scratch brass trim.

**Note: Top trim piece is mitered (cut 45° angle) on both ends.**

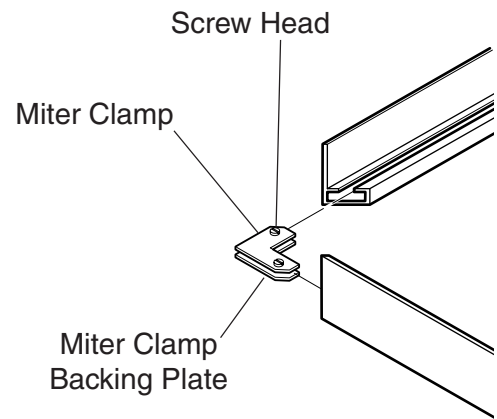
7. Separate trim sides from top piece enough to insert miter clamps and miter clamp backing plates. See *Figure 3*. Make certain screw heads are visible. Rejoin edges of trim pieces. Carefully tighten down screws while maintaining a good fit at the trim joints. See *Figure 4*. Do not over tighten screws.

8. Place assembled trim unit over top and sides of fireplace insert flush with front surface. See *Figure 5*. Align holes in trim unit with holes in fireplace. Insert #6 screw into each hole and tighten snugly. See *Figure 5*.

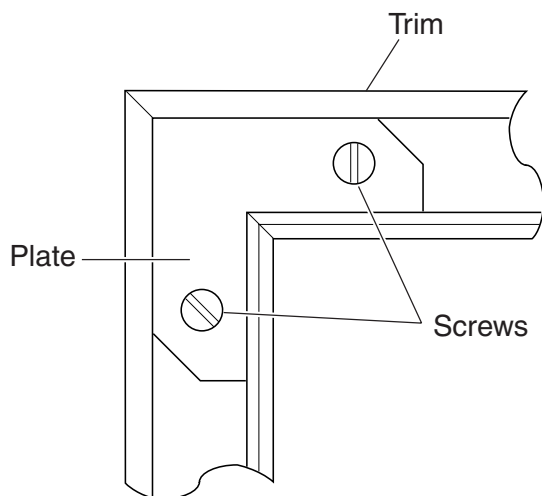
9. Connect fireplace to gas supply as instructed in Owner's Manual. Installation and service must be performed by a qualified installer, service agency, or the gas supplier. Power cord can be routed to left or right side. See *Owner's Manual*.



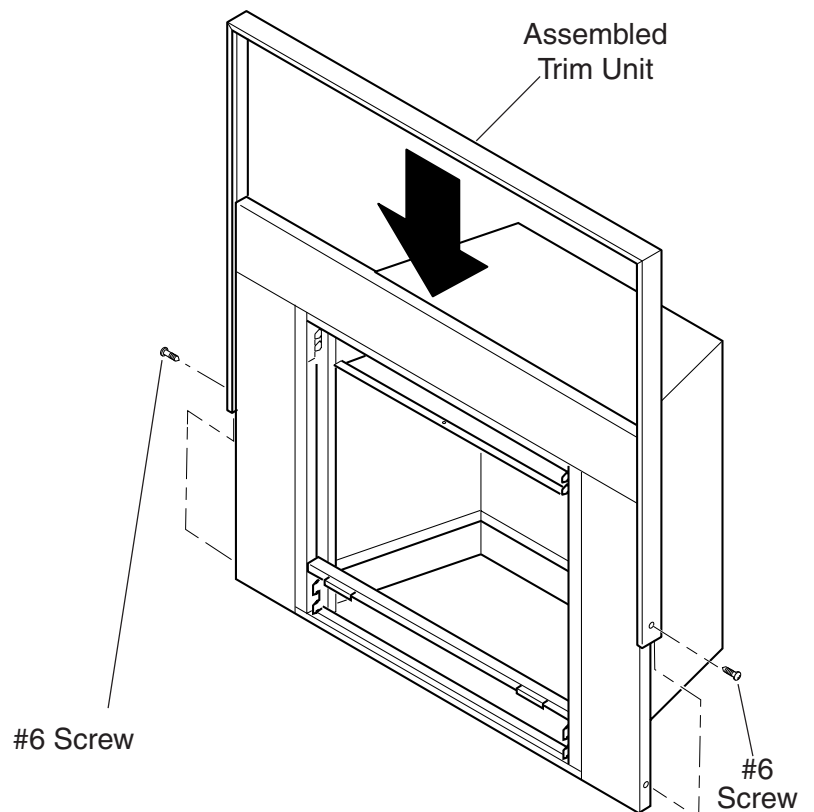
**Figure 2 - Laying Out the Trim Pieces**



**Figure 3 - Inserting Miter Clamps**



**Figure 4 - Rejoining Trim Pieces and Tightening Screws**



**Figure 5 - Installing Trim**