

MONESSEN HEARTH SYSTEMS

149 Cleveland Drive Paris, Kentucky 40361

DESIGNER FACINGS - ARCH FACE INSTALLATION INSTRUCTIONS

FACE WILL FIT MONESSEN GCUF SERIES VENT-FREE FIREBOX

IMPORTANT: Read entire instruction sheet before assembling or installing arch face

WARNING

It is recommended that a 50% vinegar and water solution be used to clean the gold and pewter facings while the unit is turned off and cooled. Any fingerprints that are on the facings before the unit is turned on will permanently damage the surface if not cleaned prior to operation.

WARNING

Before installing the face, turn off the fireplace and allow to cool. Only a qualified service person should service and repair the fireplace. A qualified service person should connect and disconnect the fireplace to gas supply. Follow all local codes.

Arch Face packaging contains:

QTY. Description

1	Arch Face
2	Long self-drilling screws
2	“L” brackets (used on plated faces only)
1	Bar Riser

***Cordless screwdriver (Phillips Bit) is needed for installation of facings.**

1. Before starting, remove all the facing components and check parts to parts list.

2. You will need to remove some components from your fireplace. Remove the top and bottom louvers, louver brackets, and the hood. The hood will be used when the face is installed, but the other parts can be discarded after the face is installed.

3. If you do not require 3/4” space for finished material, use bar riser. Install bar riser on to the bottom of face. The bar riser will fit on the bottom of the face. (See Figure 1)

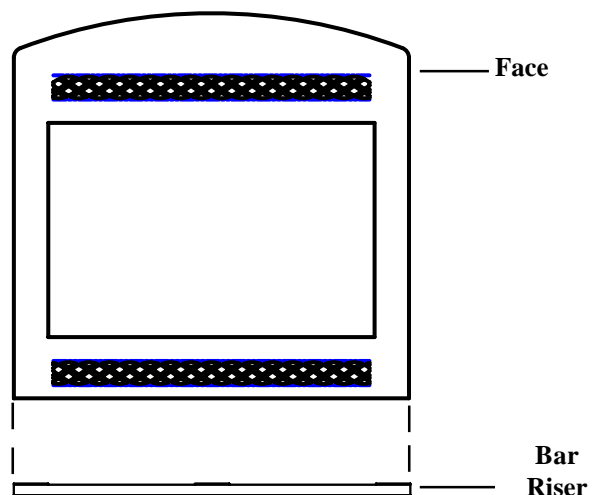


Figure 1 - Attaching bar riser to face

WARNING

It is recommended that a 50% vinegar and water solution be used to clean the gold and pewter facings while the unit is turned off and cooled. Any fingerprints that are on the facings before the unit is turned on will permanently damage the surface if not cleaned prior to operation.

4. Install arch face by positioning the mounting bracket on back of the face in between the fireplace side post. (Note location where you removed top louver) Using four self-drilling screws, screw through the top and bottom holes on mounting bracket of the arch. If installing Gold or Pewter faces, "L" Brackets are used to hide the Gold or Pewter reflective material from the front of the fireplace (See Figure 2)

5. Re-install hood.

6. Clean face with a 50% vinegar and water solution.

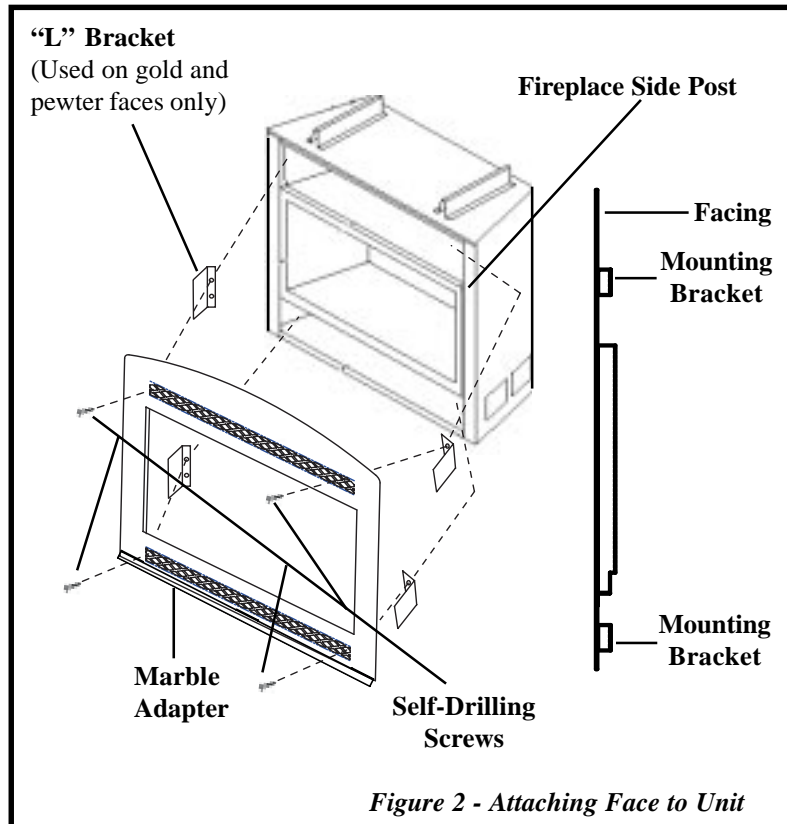


Figure 2 - Attaching Face to Unit

WARNING

It is recommended that a 50% vinegar and water solution be used to clean the gold and pewter facings while the unit is turned off and cooled. Any fingerprints that are on the facings before the unit is turned on will permanently damage the surface if not cleaned prior to operation.